

Parts

N1 to N8

N

Parts/Other

N

Parts

Technical Guidance
Reference



Screws	N2
Eccentric Pins	N4
Lever Pins and Shims	N5
Clamps / Rings / Pins / Nuts	N7
Drawing Pins / Wrenches	N8

Stock Markings and Symbols

- mark: Standard stocked item
- mark: To be replaced with the new item featured on the same page
- ▲ mark: To be replaced by a new product, made to order, or discontinued (please confirm stock availability).
- * mark: Semi-standard stock (please confirm stock availability)
- mark: Stock or planned stock (please confirm stock availability)
- Blank: Made-to-order item
- mark: Not available

Screws

Screws

Double Screw	Cat. No.	Stock	Dimensions (mm)						(N-m)
			d	Pitch	L	ℓ	D	B	
	WB4-8	●	M4	0.7	7.5	3	3.0	2	—
	WB5-10	●	M5	0.8	10	4	3.8	2.5	—
	WB5-12	●	M5	0.8	12	5	3.8	2.5	—
	WB6-10	●	M6	1.0	10	3.5	4.5	3	—
	WB6-13	●	M6	1.0	13	5	4.5	3	—
	WB6-16	●	M6	1.0	16	6	4.5	3	—
	WB6-20	●	M6	1.0	20	8.5	4.5	3	—
	WB6-30	●	M6	1.0	30	12	4.5	3	—
	WB6E-13	●	M6	1.0	13	5	4.5	2.78	—
	WB8-20	●	M8	1.25	20	8.5	6.2	4	—
	WB8-24	●	M8	1.25	24	8.5	6.2	4	—
	WB8-30	●	M8	1.25	30	11.5	6.2	4	—
	WB8F-20	●	M8	1.0	20	8.5	6.2	4	—
	WB8F-30	●	M8	1.0	30	11.5	6.2	4	—
	WB10-19	●	M10	1.5	19	8	7.9	5	—
	WB10-26	●	M10	1.5	26	11	7.9	5	—
	WB10-35	●	M10	1.5	35	13	7.9	5	—

Left-hand Thread Right-hand Thread

*: Wrench hole on the left-hand thread side only.

Double Screw (Single Torx)	Cat. No.	Stock	Dimensions (mm)						(N-m)
			d	Pitch	L	ℓ	D	B	
	WB6-13T	●	M6	1.0	13	5	4.5	T20	—
	WB6-16T	●	M6	1.0	16	6	4.5	T20	—
	WB6-20T	●	M6	1.0	20	8.5	4.5	T20	—
	WB6-20TL	●	M6	1.0	20	8.5	4.5	T20	—
	WB7-15T	●	M7	1.0	15	5.5	5	T25	—
	WB7-20T	●	M7	1.0	20	8.5	5	T25	—
	WB7F-15T	●	M7	0.75	15	5.5	5	T25	—
	WB7F-20TL	●	M7	0.75	20	8.5	5.5	T25	—
	WB8-22T	●	M8	1.25	22	8.5	6.2	T27	—
	WB8-22TL	●	M8	1.25	22	8.5	6.2	T27	—
	WB8-30T	●	M8	1.25	30	11.5	6.2	T27	—
	WB8-30TL	●	M8	1.25	30	11.5	6.2	T27	—
	WB8R-16T	●	M8	1.25	14	5.5	6.2	T27	—
	WB8L-16T	●	M8	1.25	14	5.5	6.2	T27	—

Part number suffix: T indicates right-hand thread, TL indicates left-hand thread
Part number suffix: T indicates left-hand thread, TL indicates right-hand thread

Cap Screw (Hexagonal Hole)	Cat. No.	Stock	Dimensions (mm)						(N-m)
			d	Pitch	L	ℓ	D	B	
	BX0304	●	M3	0.5	4	Full	5.5	2.5	—
	BX0308	●	M3	0.5	8	Full	5.5	2.5	—
	BX0315	●	M3	0.5	15	Full	5.5	2.5	—
	BX0320	●	M3	0.5	20	Full	5.5	2.5	—
	BX0408	●	M4	0.7	8	Full	7	3	—
	BX0410	●	M4	0.7	10	Full	7	3	—
	BX0414	●	M4	0.7	14	Full	7	3	—
	BX0425	●	M4	0.7	25	20	7	3	—
	BX0508	●	M5	0.8	8	Full	8.5	4	—
	BX0510	●	M5	0.8	10	Full	8.5	4	—
	BX0512	●	M5	0.8	12	Full	8.5	4	—
	BX0515	●	M5	0.8	15	Full	8.5	4	—
	BX0520	●	M5	0.8	20	Full	8.5	4	5.0
	BX0520T	●	M5	0.8	20	16	8.5	T20	—
	BX0610	●	M6	1.0	10	Full	10	5	—
	BX0615	●	M6	1.0	15	Full	10	5	—
	BX0620	●	M6	1.0	20	Full	10	5	—
	BX0622	●	M6	1.0	22	18	10	5	—
	BX0625	●	M6	1.0	25	18	10	5	—
	BX0820	●	M8	1.25	20	Full	13	6	—
	BX0830	●	M8	1.25	30	22	13	6	—
	BX0845	●	M8	1.25	45	13	6	—	
	BX0850	●	M8	1.25	50	13	6	—	
	BX1035	●	M10	1.5	35	26	16	8	—
	BX1060	●	M10	1.5	60	16	8	—	
	BX1230	●	M12	1.75	30	Full	18	10	—
	BX1260	●	M12	1.75	60	18	10	—	
	BX1265	●	M12	1.75	66	18	10	—	
	BX1660	●	M16	2.0	60	24	14	—	
	BX2065	●	M20	2.5	65	30	17	—	
	EHBX0512	●	M5	0.8	12	10.5	8	4	—
	FADR	●	M7	1.0	10	7	10.5	T25	—

Torx Hole Type

*With Torx Hole

Screws

Cap Screw (Torx Plus)	Cat. No.	Stock	Dimensions (mm)								(N-m)
			d	Pitch	L	ℓ	D	H	B		
	BXA0310IP	●	M3	0.5	7.5	Full	5.3	2.4	10IP	2.0	—

Cap Screw with Oil Hole	Cat. No.	Stock	Dimensions (mm)								(N-m)
			d	Pitch	L	ℓ	D	H	B		
	BXH0825-D13	●	M8	1.25	25	Full	13	8	6	—	—
	BXH1030-D16	●	M10	1.5	30	Full	16	10	8	—	—
	BXH1235-D18	●	M12	1.75	35	Full	18	12	10	—	—

Cap Screw with Oil Hole	Cat. No.	Stock	Dimensions (mm)									(N-m)
			d	Pitch	L	ℓ	D	H1	H2	B		
	BXH1235-D33	●	M12	1.75	35	Full	33	10	2	10	—	—
	BXH1635-D40	●	M16	2.0	35	30	40	10	—	14	—	—
	BXH2036-D50	●	M20	2.5	36	29	50	14	4	17	—	—

Set Screw (Hexagonal Hole)	Cat. No.	Stock	Dimensions (mm)						(N-m)
			d	Pitch	L	ℓ	D	B	
	BTD0408	●	M4	0.7	8	2	2.8	2	—
	BTD0410	●	M4	0.7	10	2	2.8	2	—
	BTD0412	●	M4	0.7	12	2	2.8	2	—
	BTD0508	●	M5	0.8	8	2	3.5	2.5	—
	BTD05F09	●	M5	0.5	9	2	4	T15	—
	BTD0510	●	M5	0.8	10	3	3.5	2.5	—
	BTD0518	●	M5	0.8	18	4	3.5	2.5	—
	BTD0607	●	M6	1.0	7	2	4	3	—
	BTD0609	●	M6	1.0	9	2	4	3	—
	BTD0615	●	M6	1.0	15	5	4	3	—
	BTD0618	●	M6	1.0	18	5	4	3	—
	BTD0620	●	M6	1.0	20	5	4	3	—
	BTD0812	●	M8	1.25	12	2	5	4	—
	BTD0818	●	M8	1.25	18	6	5	4	—
	BTD0820	●	M8	1.25	20	6	5	4	—
	BTD0825	●	M8	1.25	25	8.5	5	4	—
	BTD0830	●	M8	1.25	30	10	5	4	—
	BTD0615T	●	M6	1.0	15	5	4.3	T20	—
	BTD0620T	▲	M6	1.0	20	5	4	T20	—
	BTD0825T	●	M8	1.25	25	8.5	5	T27	—
	BTD0830T	●	M8	1.25	30	10	5	T27	—

Button Head Cap Screw	Cat. No.	Stock	Dimensions (mm)						(N-m)
			d	Pitch	L	ℓ	D	B	
	BH0304	●	M3	0.5	4	Full	5.5	2	—
	BH0305	●	M3	0.5	5	Full	5.5	2	—
	BH0306	●	M3	0.5	6	Full	5.5	2	—
	FBUP3-A0-9 (equiv. BH0308)	●	M3	0.5	8	Full	5.5	2	1.0
	BH0310	●	M3	0.5	10	Full	5.5	2	—
	BH0315	●	M3	0.5	15	Full	5.5	2	—
	BH03504	●	M3.5	0.6	4	Full	7	2	—
	BH0408	●	M4	0.7	8	Full	6	2.5	—
	BH0410T	●	M4	0.7	10	8	7.5	T15	—
	BH0415	●	M4	0.7	15	Full	7.5	2.5	—
	BH0510	●	M5	0.8	10	Full	9.5	3	—
	BH0516	●	M5	0.8	16	14.4	9.5	3	—
	BH0615	●	M6	1.0	15	Full	10.5	4	—
	BH0616	●	M6	1.0	16	14	10.5	4	—
	BH0620	●	M6	1.0	20	Full	10.5	4	—
	BH0824R	●	M8	1.25	24	20	12	4	—
	BH0824L	●	M8	1.25	24	20	12	4	—
	BH0825	●	M8	1.25	25	22.5	14	5	—
	BH0830R	●	M8	1.25	30	26	12	4	—
	BH0830L	●	M8	1.25	30	26	12	4	—
	BH0832	●	M8	1.25	32	29.5	14	5	—
	BH1030R	●	M10	1.5	30	26	14	5	—
	BH1030L	●	M10	1.5	30	26	14	5	—
	BH1036R	●	M10	1.5	36	32	14	5	—
	BH1036L	●	M10	1.5	36	32	14	5	—

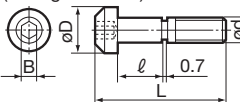
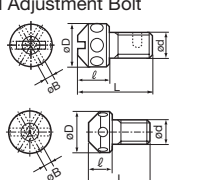
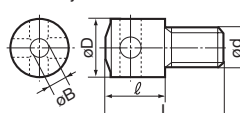
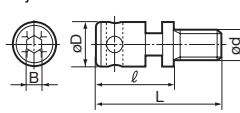
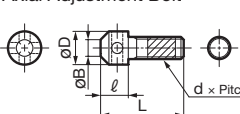
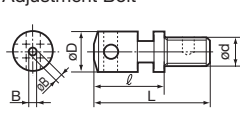
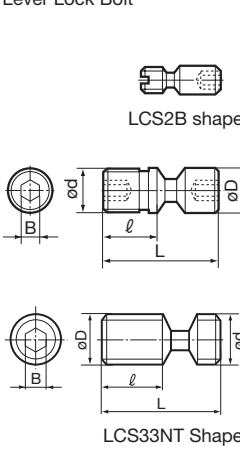
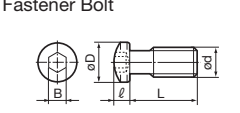
Torx Hole Type

"T" after the part number indicates "Torx hole"

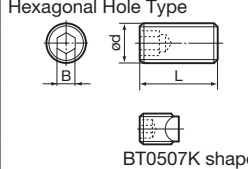
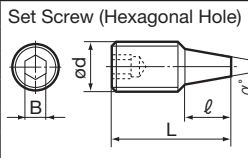
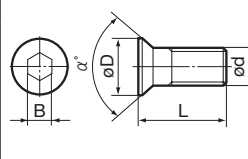
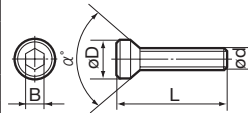
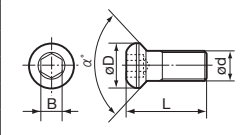
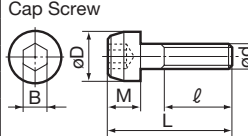
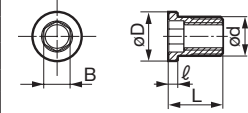
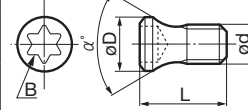
★ : Same wrench hole (B) on the screw end
★ : Left-hand threads

Screws

Screws

Special Cap Screw (Hexagonal Hole)	Cat. No.	Stock	Dimensions (mm)						(N·m)
			d	Pitch	L	ℓ	D	B	
	BHA0525	●	M5	0.8	25.5	9	8.5	3	—
	BHA0625	●	M6	1.0	30	11	10.5	4	—
	BHE0407	●	M4	0.7	9.5	2	5.7	2.5	1.8
	BHE0510	●	M5	0.8	13	3	7.7	3	2.7
Axial Adjustment Bolt	Cat. No.	Stock	Dimensions (mm)						(N·m)
			d	Pitch	L	ℓ	D	B	
	AJM4FT	●	M4	0.5	12	5	7.3	2	—
	AJM4F	●	M4	0.5	12	5	8	2	—
	AJM5F	●	M5	0.5	13	5	9	2	—
	AJM6	●	M6	1.0	18	6	10	2.9	—
Axial Adjustment Bolt	Cat. No.	Stock	Dimensions (mm)						(N·m)
			d	Pitch	L	ℓ	D	B	
RFJ	●	M4	0.7	12	6	6	2	—	
Adjustment Bolt	Cat. No.	Stock	Dimensions (mm)						(N·m)
			d	Pitch	L	ℓ	D	B	
SRFJ	●	M4	0.7	17	10.5	6	2	—	
Axial Adjustment Bolt	Cat. No.	Stock	Dimensions (mm)						(N·m)
			d	Pitch	L	ℓ	D	B	
FMJ	●	M4	0.5	15	5	6	3	—	
Adjustment Bolt	Cat. No.	Stock	Dimensions (mm)						(N·m)
			d	Pitch	L	ℓ	D	B	
FMUJ	●	M4	0.7	17	10.5	6	1	—	
Lever Lock Bolt	Cat. No.	Stock	Dimensions (mm)						(N·m)
			d	Pitch	L	ℓ	D	B	
	LCS2B	●	M3	0.5	10	3.05	3.6	2	—
	LCS3S	●	M6	1.0	15	10	6	2.5	—
	LCS3	●	M6	1.0	17	10	6	2.5	—
	LCS4	●	M8	1.0	21	10	8	3	—
	LCS5	●	M8	1.0	25	12	8	3	—
	LCS6	●	M10	1.0	27.2	14.4	9.8	4	—
	LCS4CA	●	M8	1.0	17.5	10	8	3	—
	LCS5CA	▲	M8	1.0	20.5	12	8	3	—
	LCS8	●	M12	1.0	36	18.3	11.8	5	—
	LCS10	●	M5	0.8	14.5	8.5	5	2	—
	LCS12	●	M6	1.0	17	9.6	6	2.5	—
	LCS16	●	M6	1.0	21	13.6	6	2.5	—
	LCS20	●	M8	1.0	23.5	13.2	8	3.0	—
	LCS25	●	M10	1.0	30	17.4	10	4.0	—
	LCS32	●	M12	1.0	36	19.3	12	5.0	—
LCS3TE	●	M6	1.0	15.5	8.5	6	2.5	—	
LCS33NT	●	M5	0.8	12	6.2	—	2	—	
Fastener Bolt	Cat. No.	Stock	Dimensions (mm)						(N·m)
			d	Pitch	L	ℓ	D	B	
	FBH0512	●	M5	0.8	12	3.1	7.3	3	—
	FBX0811	●	M8	1.25	11.1	4.9	8.5	4	—
FBX0817	●	M8	1.25	17.1	4.9	8.5	4	—	

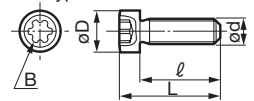
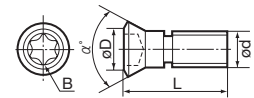
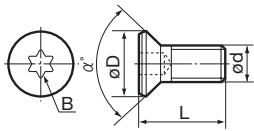
Screws

Set Screw Hexagonal Hole Type	Cat. No.	Stock	Dimensions (mm)						(N·m)	
			d	Pitch	L	—	B	—		
	BT0306	●	M3	0.5	6	—	1.5	—	—	
	BT0310	●	M3	0.5	10	—	1.5	—	—	
	BT0404	●	M4	0.7	4	—	2	—	—	
	BT0406	●	M4	0.7	6	—	2	—	—	
	BT0408	●	M4	0.7	8	—	2	—	—	
	BT0412	●	M4	0.7	12	—	2	—	—	
	BT0506	●	M5	0.8	6	—	2.5	—	—	
	BT0507K	●	M5	0.8	7	—	2.5	—	—	
	BT0510	●	M5	0.8	10	—	2.5	—	—	
	BT0610	●	M6	1.0	10	—	3	—	—	
	BT0612	●	M6	1.0	12	—	3	—	—	
BT0620	●	M6	1.0	20	—	3	—	—		
BT06035T	●	M6	1.0	3.5	—	T15	—	—		
Set Screw (Hexagonal Hole)	Cat. No.	Stock	Dimensions (mm)						(N·m)	
			d	Pitch	L	ℓ	B	α°		
	BTT0407	●	M4	0.5	7	2.6	—	2	60	—
	BTT0411	●	M4	0.5	11	2.6	—	2	60	—
	BTT0511	●	M5	0.8	11	5	—	2	20	—
BTT0615	●	M6	1.0	15	6	—	2.5	20	—	
Flat Head Screw (Hexagonal Hole)	Cat. No.	Stock	Dimensions (mm)						(N·m)	
			d	Pitch	L	D	B	α°		
	FBUP1-A0-8	●	M3	0.5	6	4.4	2	82	1.0	
	FBUP2-A0-8	●	M3	0.5	10	5.5	2	82	1.0	
	FBUP3-A0-8	●	M3.5	0.6	12	7	2	82	1.0	
	FBUP4-A0-8	●	M5	0.8	15	9.3	3	82	2.7	
	BFX0307R	●	M3	0.5	7	4	2	60	1.0	
	BFX0407R	●	M4	0.7	6.5	5.8	2.5	90	1.8	
	BFX0410R	●	M4	0.7	9.5	5.8	2.5	90	1.8	
	BFX0410L	●	M4	0.7	9.5	5.8	2.5	90	1.8	
	BFX0508	●	M5	0.8	8	7.5	3	90	2.7	
	BFX0511R	●	M5	0.8	10.5	7.5	3	90	2.7	
BFX0511L	●	M5	0.8	10.5	7.5	3	90	2.7		
BFX0611R	●	M6	1.0	11	9.5	3	90	2.7		
*: Left-hand threads										
Special Cap Screw (Hexagonal Hole)	Cat. No.	Stock	Dimensions (mm)						(N·m)	
			d	Pitch	L	D	B	α°		
	BXF0520R	●	M5	0.8	25	8.5	4	90	7.0	
BXF0616	●	M6	1.0	16	9	4	90	—		
Button Head Flat Screw	Cat. No.	Stock	Dimensions (mm)						(N·m)	
			d	Pitch	L	D	B	α°		
	BHF0203L	●	M2	0.4	4	3	1.5	90	—	
	BHF0306R	●	M3	0.5	6.3	4.2	2	90	1.0	
	BHF0306L	●	M3	0.5	6.3	4.2	2	90	—	
	BHF0308R	●	M3	0.5	8	4.2	2	90	1.0	
	BHF0308L	●	M3	0.5	8	4.2	2	90	—	
	BHF0407	●	M4	0.7	8.5	6	3	90	—	
	BHF0410	●	M4	0.7	11.5	6	3	90	—	
	BHF0623	●	M6	1.0	23	12	4	90	7.0	
*: Left-hand threads R: right-hand thread, L: left-hand thread										
Cap Screw	Cat. No.	Stock	Dimensions (mm)						(N·m)	
			d	Pitch	L	ℓ	D	B		M
	QBX120	●	M12	1.75	54	30	22	10	14	—
QBX160	●	M16	2.0	56	30	28	14	16	—	
Special Hollow Screw	Cat. No.	Stock	Dimensions (mm)						(N·m)	
			d	Pitch	L	ℓ	D	B		
	BW0507F	●	M5	0.5	7	1.2	6.3	3.5	—	
BW0609F	●	M6	0.75	9	1.5	7.7	4	—		
Torx Flat Head Screw	Cat. No.	Stock	Dimensions (mm)						(N·m)	
			d	Pitch	L	D	B	α°		
	BFT2045T06	●	M2	0.4	4.5	2.7	T6	60	—	
	BFT2506T08	●	M2.5	0.45	6	3.45	T8	60	—	
	BFTY02205	●	M2.2	0.45	5	3.05	T7	60	—	
BFTY02206	●	M2.2	0.45	5.6	3.05	T7	60	1.0		

Screws / Eccentric Pins

Screws

Torx Flat Head Screw		Cat. No.	Stock	Dimensions (mm)						α°	(N·m)
				d	Pitch	L	D	B			
		BFN0204T	●	M2	0.4	4.3	3.3	T8	90	—	
		BFN0206T	●	M2	0.4	5.5	3.3	T8	90	1.1	
		BFN0306T	●	M3	0.5	6	4.2	T10	90	—	
		BFN0307T	●	M3	0.5	7	4.2	T10	90	2.0	
		BFN0410T	●	M4	0.7	9.5	5.6	T10	90	2.0	
		BFN0511T	●	M5	0.8	10.5	7.3	T20	90	—	
		BFN0611T	●	M6	1.0	11	9.3	T25	90	—	
		BFS0205T	●	M2	0.4	5.5	3	T8	60	1.1	
		BFTX016033	●	M1.6	0.35	3.3	2.6	T6	60	0.2	
		BFTX02507	●	M2.5	0.45	6.5	3.45	T8	60	—	
		BFTX02508	●	M2.5	0.45	7.5	3.45	T8	60	—	
		BFTX03508	●	M3.5	0.6	8	5.1	T10	52	2.0	
		BFTX03584	●	M3.5	0.6	7.4	5.2	T15	60	3.0	
		BFTX03588	●	M3.5	0.6	8.8	5.2	T15	60	3.4	
		BFTX0408	●	M4	0.7	8	5.5	T15	60	—	
		BFTX0414	●	M4	0.7	14.5	5.5	T15	60	3.0	
		BFTX01604N	●	M1.6	0.35	4.2	2.4	T6	60	0.2	
		BFTX0203N	●	M2	0.4	3	2.7	T6	60	0.5	
		BFTX0204N	●	M2	0.4	4.3	2.7	T6	60	0.5	
		BFTX02205N	●	M2.2	0.45	4.5	3	T6	60	0.5	
		BFTX02505N	●	M2.5	0.45	4.5	3.45	T8	60	1.1	
		BFTX02506N	●	M2.5	0.45	5.5	3.45	T8	60	1.5	
		BFTX0305N	●	M3	0.5	5.3	4.2	T10	60	2.0	
		BFTX0306N	●	M3	0.5	5.8	4.2	T10	60	2.0	
		BFTX0307N	●	M3	0.5	6.5	4.2	T10	60	2.0	
		BFTX03085N	●	M3	0.5	8.5	5.4	T10	60	—	
		BFTX0309N	●	M3	0.5	9	4.2	T10	60	—	
		BFTX0312N	●	M3	0.5	12	5.4	T10	60	—	
		BFTX03509N	●	M3.5	0.6	8.5	4.9	T10	60	—	
		BFTX0406N	●	M4	0.7	6	5.6	T15	60	—	
		BFTX0407N	●	M4	0.7	7	5.6	T15	60	3.0	
		BFTX0409N	●	M4	0.7	9	5.6	T15	60	3.4	
		BFTX0412N	●	M4	0.7	12	5.5	T15	60	3.0	
		BFTX0509N	●	M5	0.8	9	7	T20	60	5.0	
		BFTX0511N	●	M5	0.8	11.5	7	T20	60	5.0	
		BFTX0513N	●	M5	0.8	13	7	T20	60	5.0	
		BFTX0515N	●	M5	0.8	15	7	T20	60	—	
		BFTX0615N	●	M6	1.0	15	9	T25	60	5.0	
		BFTX0619N	●	M6	1.0	19	9.3	T25	60	5.0	
		BFTX0203A	●	M2	0.4	3	2.7	T6	90	0.5	
		BFTX0204A	●	M2	0.4	4.3	2.7	T6	90	0.5	
		BFTX0305A	●	M3	0.5	5.3	4.3	T10	90	—	
		BFTX0306A	●	M3	0.5	5.8	4.3	T10	90	2.0	
		BFTX0307A	●	M3	0.5	6.8	4.3	T10	90	2.0	
		BFTX0407A	●	M4	0.7	7.3	5.6	T15	90	3.4	
		BFTX0410A	●	M4	0.7	10.3	5.6	T15	90	3.4	
		BFTX0509A	●	M5	0.8	9.3	6.9	T20	90	5.0	
		BFTX0204NS	●	M2	0.4	4.4	3.2	T1.8	82	0.7	
		BFTX0205NS	●	M2	0.4	5.5	3.2	T1.8	90	0.7	
		BFTX02506NS	●	M2.5	0.45	6.8	3.6	T2.2	90	1.4	
		BFTX0307NS	●	M3	0.5	7.8	4.2	T2.9	90	3	
		BFTX02206NT	●	M2.2	0.45	6	3.2	T1.8	60	0.7	
		BFTX02507NT	●	M2.5	0.45	7	3.6	T2.2	60	1.4	
		BFTX0408NT	●	M4	0.7	8	5.8	T3.6	60	5	
		BFTX0410NT	●	M4	0.7	10	5.8	T3.6	60	5	
		BFTX02508NV	●	M2.5	0.45	7.5	3.45	T8	60	1.5	
Special Cap Screw BXD Type		Cat. No.	Stock	Dimensions (mm)						α°	(N·m)
				d	Pitch	L	ℓ	D	B		
		BFF2506T08	●	M2.5	0.8	7.5	6	3.45	T8	—	
		BFF3505T10	●	M3.5	0.6	6.6	5	5	T10	—	
		BFF4510T15	●	M4.5	0.75	12.1	10.5	5.9	T15	—	



Screws

Torx Screw (Torx Double Ended)		Cat. No.	Stock	Dimensions (mm)						α°	(N·m)
				d	Pitch	L	D	B			
		BFTX0410T8R	●	M4	0.7	9.6	5.6	T8	60	1.1	
		BFTX0410T8L	●	M4	0.7	9.6	5.6	T8	60	1.1	

*: Left-hand threads
R: right-hand thread, L: left-hand thread

Precision Screw (Torx) <For SEC Ballnose Endmills>		Cat. No.	Stock	Dimensions (mm)						α°	(N·m)
				d	Pitch	L	D	B			
		BFTG0408F	●	M4	0.5	7.5	5.7	T15	61	3.4	
		BFTG0409F	●	M4	0.5	8.4	6.15	T15	61	3.4	
		BFTG0513F	●	M5	0.5	13	6.8	T20	61	5.0	
		BFTG0617F	●	M6	0.75	16.5	8	T25	61	7.5	
		BFTG0621F	●	M6	0.75	21	9.5	T25	61	7.5	
		BFTG0825F	●	M8	0.75	24.5	12	T25	61	7.5	

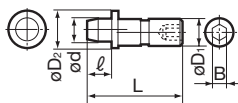
Torx Screw		Cat. No.	Stock	Dimensions (mm)						α°	(N·m)
				d	Pitch	L	D	B			
		BFTX01804IP	●	M1.8	0.35	3.7	2.45	6IP	60	—	
		BFTX02505IP	●	M2.5	0.45	4.5	3.45	8IP	60	—	
		BFTX02506IP	●	M2.5	0.45	5.5	3.45	8IP	60	—	
		BFTX0305 IP	●	M3	0.5	5.3	3.8	8IP	60	2.0	
		BFTX0306 IP	●	M3	0.5	6	3.8	8IP	60	2.0	
		BFTX0307 IP	●	M3	0.5	7	4.3	10IP	55	2.0	
		BFTX0308IP	●	M3	0.5	8	3.8	8IP	60	—	
		BFTX03510IP08	●	M3.5	0.6	10	5.3	8IP	60	—	
		BFTX03510IP15	●	M3.5	0.6	10	5.3	15IP	60	—	
		BFTX03512 IP	●	M3.5	0.6	11.5	5.3	15IP	60	3.0	
		BFTX03584IP	●	M3.5	0.6	7.4	5.2	15IP	60	—	
		BFTX0407 IP	●	M4	0.7	8	5.6	15IP	60	3.0	
		BFTX0409 IP	●	M4	0.7	9	5.6	15IP	60	3.0	
		BFTX0412 IP	●	M4	0.7	12	5.5	15IP	60	3.0	
		BFTX0418IP	●	M4	0.7	18	5.5	15IP	60	—	
		BFTX04513IP20	●	M4.5	0.75	13.1	6.8	20IP	60	—	
		BFTX0511IP	●	M5	0.8	11.5	7	20IP	60	—	
		BFTX0513IP	●	M5	0.8	13	7	20IP	60	—	
		BFTX0615IP	●	M6	1.0	15	9	25IP	60	—	

Flat Screw (Torx Plus Double Ended)		Cat. No.	Stock	Dimensions (mm)						α°	(N·m)
				d	Pitch	L	D	B			
		BFTX0410NSW	●	M4	0.7	10	5.8	2.2	90	1.4	
		BFTX0410NTW	●	M4	0.7	10	5.85	2.2	60	1.4	
		BFTX0412NTW	●	M4	0.7	12	5.85	2.2	60	1.4	

Cap Screw (Torx Plus)		Cat. No.	Stock	Dimensions (mm)						α°	(N·m)
				d	Pitch	L	ℓ	D	B		
		BXD02208 IP	●	M2.2	0.45	7.5	5.7	3.5	8 IP	—	
		BXD02509 IP	●	M2.5	0.45	9	7	4.1	10 IP	—	
		BXD03011 IP	●	M3	0.5	10.5	8	4.9	15 IP	—	
		BXD03512 IP	●	M3.5	0.6	11.5	8.8	5.5	15 IP	—	
		BXD04014 IP	●	M4	0.7	12.5	9.5	6	20 IP	—	
		BXD04515 IP	●	M4.5	0.75	14.3	10.8	6.8	25 IP	—	

Eccentric Pins

For SEC-Boring Bar		Cat. No.	Stock	Dimensions (mm)						α°	(N·m)
				d	D ₁	D ₂	L	ℓ	B		
		CPB43	●	4.5	5.5	7	19	5	3	—	
		CPB44T	●	4.5	5.5	7	22	5	3	—	
		CPB45T	●	4.5	5.5	7	27	5	3	—	
		CPB43S	●	4.5	5.5	7	16	5	3	—	
		CPB32C	●	3.3	4.1	5.5	14	3.4	2.5	—	
		CPB32	●	3.4	4.1	5.5	14	3.4	2.5	—	
		CPB33	●	3.4	4.1	5.5	17	3.4	2.5	—	
		CPB34	●	3.4	4.1	5.5	14	5	2.5	—	
		CPB35	●	3.4	4.1	5.5	17	5	2.5	—	
		CPB42	●	4.5	5.5	7	14	5	3	—	
		CPB45	●	4.5	5.5	7	23	5	3	—	
		CPB64	●	6.8	8.2	10.5	24	6.6	4	—	



Eccentric Pins, Lever Pins and Shims

■ Eccentric Pins

For SEC-30 Type Holders	Cat. No.	Stock	Dimensions (mm)						(N·m)
			d	D ₁	D ₂	L	ℓ	—	
	P432U	●	5.025	7	7.5	21	4.9	—	—
	P433U	●	5.025	7	7.5	24	4.9	—	—
	P434U	●	5.025	7	7.5	30	4.9	—	—
	P221US	●	2.11	3.5	4	18	3.3	—	—
	P321US	●	3.635	5	5.5	18	3.3	—	—
	P322US	●	3.635	5	5.5	21	3.3	—	—
	P323US	●	3.635	5	5.5	24	3.3	—	—
	P332US	●	3.635	5	5.5	21	4.9	—	—
	P333US	●	3.635	5	5.5	24	4.9	—	—
	P334US	●	3.635	5	5.5	30	4.9	—	—
For SEC-30 Type Holders	Cat. No.	Stock	Dimensions (mm)						(N·m)
			d	D ₁	D ₂	L	ℓ	—	
	P433W	●	5.025	7	7.8	24	4.9	—	—
	P434W	●	5.025	7	7.8	30	4.9	—	—
	P323WS	●	3.635	5	5.8	24	3.3	—	—
	P333WS	●	3.635	5	5.8	24	4.9	—	—
	P334WS	●	3.635	5	5.8	30	4.9	—	—
For SEC-60 Type Holders	Cat. No.	Stock	Dimensions (mm)						(N·m)
			d	D ₁	D ₂	L	ℓ	—	
	CPZ322	●	3.4	4.1	4.9	22	3.3	—	—
	CPZ332	●	3.4	4.1	5.5	23	5	—	—
	CPZ333	▲	3.4	4.1	5.5	25	5	—	—
	CPZ333V	●	3.4	4.1	5.5	29	5	—	—
	CPZ334	●	3.4	4.1	5.5	32	5.5	—	—
	CPZ334V	●	3.4	4.1	5.5	35	5	—	—
	CPZ433	●	4.5	5.5	7	26	5	—	—
	CPZ434	●	4.5	5.5	7	32	5	—	—
CPZ435	▲	4.5	5.5	7	39	5	—	—	
CPZ645	●	6.8	8.2	10.5	39	6.6	—	—	
For SEC-Cartridge BU	Cat. No.	Stock	Dimensions (mm)						(N·m)
			d	D	D ₂	L	ℓ	B	
CPU304C	●	3.3	5.5	—	10	3.5	3	—	

■ Lever Pins

For SEC-30 Type Holders	Cat. No.	Stock	Dimensions (mm)						(N·m)
			A	H	L	d	—	—	
	LCL06	●	2.5	6.28	7	2	—	—	—
	LCL09	●	3.4	9.3	10.75	3	—	—	—
	LCL10	●	3.4	11.8	10.8	3	—	—	—
	LCL12	●	3.7	13.4	12.9	3.5	—	—	—
	LCL16	●	4.6	17.6	18.4	4.4	—	—	—
LCL20	●	6	18.9	20.4	5.6	—	—	—	
For SEC-60 Type Holders	Cat. No.	Stock	Dimensions (mm)						(N·m)
			A	H	L	C	—	—	
	LCL3S	●	3.7	10.6	10	3.6	—	—	—
	LCL4S	●	4.7	14	14.55	4.4	—	—	—
	LCL3	●	3.7	12	10	3.6	—	—	—
	LCL4	●	4.7	14	14.55	4.7	—	—	—
	LCL5	●	6	17	17.1	6	—	—	—
	LCL6	●	7.5	21	20.5	7.5	—	—	—
	LCL8	●	8.6	25.4	25.4	8.6	—	—	—
	LCL33NT	●	3.2	9.4	10	3.2	—	—	—

■ Shims

For Lever Lock	Cat. No.	Stock	Dimensions (mm)						(N·m)
			A	T	d	—	—	—	
	LST317	●	9.5	2.7	5.2	—	—	—	—
	LST42	●	12.65	3.18	6.9	—	—	—	—

■ Shims

For Lever Lock	Cat. No.	Stock	Dimensions (mm)						(N·m)
			A	T	d	—	—	—	
	LSS32	●	9.48	3.18	5	—	—	—	—
	LSS42	●	12.65	3.18	6.9	—	—	—	—
	LSS53	●	15.85	4.76	7.9	—	—	—	—
	LSS63	●	19	4.76	10	—	—	—	—
LSS84	●	25.35	6.35	13.2	—	—	—	—	
For Lever Lock	Cat. No.	Stock	Dimensions (mm)						(N·m)
			A	T	d	—	—	—	
LSS42B	●	12.65	3.18	6.9	—	—	—	—	
For Lever Lock	Cat. No.	Stock	Dimensions (mm)						(N·m)
			A	T	d	—	—	—	
	LSC317	●	9.5	2.7	5.2	—	—	—	—
	LSC32	●	9.48	3.18	5	—	—	—	—
	LSC32	●	12.65	3.18	6.9	—	—	—	—
	LSC43	●	15.85	4.76	7.9	—	—	—	—
	LSC63	●	19	4.76	10	—	—	—	—
For Lever Lock	Cat. No.	Stock	Dimensions (mm)						(N·m)
			A	T	d	—	—	—	
	LSD317	●	9.5	2.7	5.2	—	—	—	—
	LSD42	●	12.65	3.18	6.9	—	—	—	—
For Lever Lock	Cat. No.	Stock	Dimensions (mm)						(N·m)
			A	T	d	—	—	—	
	LST317CA	●	9.33	2.7	5	—	—	—	—
	LST42CA	●	12.5	3.2	6.7	—	—	—	—
For Lever Lock	Cat. No.	Stock	Dimensions (mm)						(N·m)
			A	T	d	—	—	—	
	LSR817	●	8.4	2.7	5.2	—	—	—	—
	LSR10	●	8.4	3.18	4.7	—	—	—	—
	LSR12	●	10	3.18	4.7	—	—	—	—
	LSR16	●	13.5	4.76	6.3	—	—	—	—
	LSR20	●	17.2	4.76	7.9	—	—	—	—
	LSR25	●	22	6.35	9.5	—	—	—	—
LSR32	●	28	6.35	12.7	—	—	—	—	
For Lever Lock	Cat. No.	Stock	Dimensions (mm)						(N·m)
			A	T	d	—	—	θ°	
	LSS42CA	●	12.5	3.2	6.7	—	—	8	—
	LSS53CA	●	15.68	4.8	7.7	—	—	10	—
For Lever Lock	Cat. No.	Stock	Dimensions (mm)						(N·m)
			A	T	d	—	—	θ°	
LSC53CA	●	15.68	4.8	7.7	—	—	10	—	
For Lever Lock	Cat. No.	Stock	Dimensions (mm)						(N·m)
			A	T	d	—	—	θ°	
LSC42B	●	12.65	3.18	6.9	—	—	8	—	
For SEC-20 & 40 Type Holders	Cat. No.	Stock	Dimensions (mm)						(N·m)
			A	T	d	—	—	—	
	STND323	●	9.3	3.18	3.4	—	—	—	—
	STND433	●	12.5	4.76	3.4	—	—	—	—

Shims

Shims

For SEC-20 & 40 Type Holders	Cat. No.	Stock	Dimensions (mm)						(N·m)
			A	T	d	—	—	—	
	SSND423	●	12.5	3.18	3.4	—	—	—	
	SSND433	●	12.5	4.76	3.4	—	—	—	
	SSND533	●	15.65	4.76	3.4	—	—	—	
For SEC-30 Type Holders	Cat. No.	Stock	Dimensions (mm)						(N·m)
			A	T	d ₁	d ₂	—	—	
	EST32	●	9.53	3.18	5.5	5.9	—	—	
	EST43	●	12.7	4.76	7.5	7.9	—	—	
For SEC-30 Type Holders	Cat. No.	Stock	Dimensions (mm)						(N·m)
			A	T	d ₁	d ₂	—	—	
	ESS42	●	12.7	3.18	7.5	7.9	—	—	
	For SEC-40 Type Holders	Cat. No.	Stock	Dimensions (mm)					
	A			T	d	—	—	θ°	
	SCND433	●	12.65	4.76	3.4	—	—	80	
	SDND433	●	12.65	4.76	3.4	—	—	55	
SEND423	●	12.5	3.18	3.4	—	—	75		
For SEC-40 Type Holders	Cat. No.	Stock	Dimensions (mm)						(N·m)
			A	T	d	—	—	θ°	
	STPD322	●	8.4	3.18	3.4	—	—	6	
	STPD422	●	11	3.18	3.4	—	—	6	
STPL42	●	11	3.18	3.4	—	—	6		
For SEC-40 Type Holders	Cat. No.	Stock	Dimensions (mm)						(N·m)
			A	T	d	—	—	θ°	
	SSPD422	●	11.63	3.18	3.4	—	—	6	
	SSPD522	●	14.1	3.18	3.4	—	—	6	
For SEC-40 Type Holders	Cat. No.	Stock	Dimensions (mm)						(N·m)
			D	—	—	—	—	—	
	SRND42	●	12.7	—	—	—	—	—	
	For SEC-60 Type Holders	Cat. No.	Stock	Dimensions (mm)					
	A			T	d ₁	d ₂	—	θ°	
	SVW322	●	9.5	3.18	4.7	6.5	—	35	
	SFW423	●	12.65	3.18	6.2	8	—	50	
	SFW433	●	12.65	4.76	6.2	8	—	50	
	SDW323	●	9.5	3.18	4.7	6.5	—	55	
	SDW423	●	12.65	3.18	6.2	8	—	55	
	SCW323	●	9.5	3.18	4.8	6.5	—	80	
	SCW423	●	12.65	3.18	6.2	8	—	80	
SCW635	●	19	4.76	9	11.5	—	80		
For SEC-M Type Holders For SEC-Boring Bar	Cat. No.	Stock	Dimensions (mm)						(N·m)
			A	T	d ₁	d ₂	—	—	
	STW323	●	9.5	3.18	4.7	6.5	—	—	
	STW434	●	12.65	4.76	6.2	8	—	—	
For SEC-M Type Holders	Cat. No.	Stock	Dimensions (mm)						(N·m)
			A	T	d ₁	d ₂	—	—	
	SWW433	●	12.65	4.76	6.2	8	—	—	

Shims

For SEC-Boring Bar	Cat. No.	Stock	Dimensions (mm)						(N·m)		
			A	T	d ₁	d ₂	—	—			
	SSW423	●	12.65	3.18	6.2	8	—	—			
	SSW635	●	19	4.76	9	11.5	—	—			
For SEC-D Type Holders	Cat. No.	Stock	Dimensions (mm)								(N·m)
			A	T	d ₁	d ₂	Ra	Rb	Rc	Rd	
	CNS1204	●	12.57	4.76	4.4	6	0.8	0.8	1.2	1.2	
	CNS1606	●	15.75	4.76	5.5	7.5	1.2	1.2	1.2	1.2	
	CNS1906	●	18.70	6.35	5.5	7.5	1.6	1.6	1.2	1.2	
	CNS2509	●	25.27	6.35	6.6	9.5	2.4	2.4	2.4	2.4	
	CNS1204-R24	●	12.57	4.76	4.4	6	2	0.8	2.4	1.2	
For SEC-D Type Holders	Cat. No.	Stock	Dimensions (mm)								
			A	T	d ₁	d ₂	Ra	Rb	Rc	Rd	
	DNS1504	●	12.57	6.35	4.4	6	0.8	0.8	1.2	0.8	
	DNS1506	●	12.57	4.76	4.4	6	0.8	0.8	1.2	0.8	
	DNS1504-R24	●	12.57	6.35	4.4	6	2	0.8	2.4	0.8	
For SEC-D Type Holders	Cat. No.	Stock	Dimensions (mm)								
			A	T	d ₁	d ₂	Ra	Rb	Rc	Rd	
	SNS1204	●	12.57	4.76	4.4	6	0.8	0.8	1.2	1.2	
	SNS1506	●	15.75	4.76	5.5	7.5	1.2	1.2	1.2	1.2	
	SNS1906	●	18.92	6.35	5.5	7.5	1.2	1.2	1.2	1.2	
	SNS2507	●	25.27	7.93	6.6	9.5	2.4	2.4	2.4	2.4	
SNS2509	●	25.27	6.35	6.6	9.5	2.4	2.4	2.4	2.4		
For SEC-D Type Holders	Cat. No.	Stock	Dimensions (mm)								(N·m)
			A	T	d ₁	d ₂	Ra	Rb	Rc	Rd	
	TNS1604	●	9.45	4.76	3.4	4.5	0.4	0.8	1.2	—	
	TNS1604-R24	●	9.45	4.76	3.4	4.5	1.6	2	2.4	—	
For SEC-D Type Holders	Cat. No.	Stock	Dimensions (mm)								
			A	T	d ₁	d ₂	Ra	Rb	—	—	
	VNS1604	●	9.45	4.76	3.4	4.5	1.2	0.8	—	—	
For X-Bar Negative Insert	Cat. No.	Stock	Dimensions (mm)								(N·m)
			A	T	d ₁	d ₂	Ra	Rb	Rc	Rd	
	CNS1203B	●	12.57	3.18	3.4	4.5	1.2	0.8	1.2	0.8	
	CNS1204B	●	12.57	4.76	4.4	6	1.2	0.8	1.2	0.8	
For X-Bar Negative Insert	Cat. No.	Stock	Dimensions (mm)								(N·m)
			A	T	d ₁	d ₂	Ra	Rb	Rc	Rd	
	DNS1104B	●	9.45	4.76	3.4	4.5	1.2	0.8	1.2	0.8	
	DNS1506B	●	12.57	4.76	4.4	6	1.2	0.8	1.2	0.8	
	DNS1504B	●	12.57	6.35	4.4	6	1.2	0.8	1.2	0.8	
DNS1504B	●	12.57	6.35	4.4	6	1.2	0.8	1.2	0.8		
For SEC-Special Turning Holder	Cat. No.	Stock	Dimensions (mm)						(N·m)		
			D	T	d	—	—	θ°			
	SRPH163	●	14	3.2	5.3	—	—	11	—		
	SRPH203	●	18	3.2	6.3	—	—	11	—		
For SEC-Sumi Dual Mill DGC Type	Cat. No.	Stock	Dimensions (mm)						(N·m)		
			A	T	d ₁	d ₂	—	θ°			
	DGCS13R	●	13.7	3.9	6.8	8.8	—	5	—		
	For SEC-WaveMill WGC/WGX Type	Cat. No.	Stock	Dimensions (mm)						(N·m)	
	A			T	d ₁	d ₂	—	θ°			
	WGCS13R	●	10.7	3	5.5	7.5	—	5	—		

Shims, Clamps, Rings, Pins, and Nuts

Shims

For SEC-WaveMill WFX Type	Cat. No.	Stock	Dimensions (mm)						(N·m)
			A	T	d ₁	d ₂	—	θ°	
	WFXS4R	●	10.2	3	5.5	7.5	—	15	—
For CCLC Holder	Cat. No.	Stock	Dimensions (mm)						(N·m)
			A	T	—	—	—	θ°	
	SCN204	●	8.7	2.04	—	—	—	7	—
For BNR Holder	Cat. No.	Stock	Dimensions (mm)						(N·m)
			D	T	—	—	—	—	
	BNRS120	●	11.2	4	—	—	—	—	—
For LTER (Threading)	Cat. No.	Stock	Dimensions (mm)						(N·m)
			A	T ₁	T ₂	d	—	—	
	LSTE31-0	●	9.5	2.7	2.7	5.2	—	—	—
	LSTE31-1	●	9.5	2.67	2.91	5.2	—	—	—
	LSTE31-2	●	9.5	2.64	3.11	5.2	—	—	—
	LSTE42-0	●	12.65	3.18	3.18	7	—	—	—
	LSTE42-1	▲	12.65	3.14	3.45	7	—	—	—
	LSTE42-2	▲	12.65	3.09	3.71	7	—	—	—
For SSTE/SSSTI (Threading)	Cat. No.	Stock	Dimensions (mm)						(N·m)
			A	T	d	—	—	—	
	YE3	●	9.5	3.2	4	—	—	—	—
	YI3	●	9.5	3.2	4	—	—	—	—

Clamps and Seats

Seat for TSX Type	Cat. No.	Stock	Dimensions (mm)						(N·m)
			A	B	T	d ₁	d ₂	—	
	TSXS13R	●	12.7	9	6.2	4.4	6	—	—
Seat for PWS	Cat. No.	Stock	Dimensions (mm)						(N·m)
			d	L	H	—	—	—	
	PWSS4R	●	4.6	15	8	—	—	—	—
Clamp for CPG	Cat. No.	Stock	Dimensions (mm)						(N·m)
			d	L	H	—	—	—	
	PTW40R	●	M8	17	12.514	—	—	—	—
	PTW41L	●	M8	17	12.675	—	—	—	—
	PTW41R	●	M8	17	12.675	—	—	—	—

Rings

	Cat. No.	Stock	Dimensions (mm)						(N·m)
			A	B	T	d	—	—	
	ER03	●	7	2.6	0.6	3	—	—	—
	ER04	●	9	3.5	0.6	4	—	—	—
	ER05	●	11	4.3	0.6	5	—	—	—

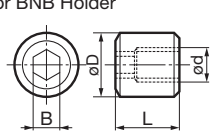
Shim Pins

For SEC-M Type Holders	Cat. No.	Stock	Dimensions (mm)						(N·m)
			d	Pitch	L	D	D ₁	d ₁	
	MP317	●	M4	0.7	15.5	6	4	3.7	—
	MP317S	●	M4	0.7	15.5	6	4	3.56	—
	MP320	●	M4	0.7	19.5	6	4	3.7	—
	MP320S	●	M4	0.7	19.5	6	4	3.56	—
	MP416	●	M5	0.8	14	7.5	6	5	—
	MP420	●	M5	0.8	20	7.5	6	5	—
	MP432	●	M5	0.8	32	7.5	6	5	—
For SEC-Light Endmill FMS Type	Cat. No.	Stock	Dimensions (mm)						(N·m)
			d	—	L	D	θ°	—	
	SPP308	●	3.2	—	8	4.8	60°	—	—
For SEC-20 & 40 Type Holders	Cat. No.	Stock	Dimensions (mm)						(N·m)
			—	—	L	D	—	—	
	SPP3	●	—	—	14	3.2	—	—	—
For SEC-70 Type Holders	Cat. No.	Stock	Dimensions (mm)						(N·m)
			d	H	L	—	—	—	
	LSP3	●	5	3.3	5.5	—	—	—	—
	LSP4	●	6.7	4	7	—	—	—	—
	LSP5	●	7.7	4.5	8.5	—	—	—	—
	LSP6	●	9.85	6	11.1	—	—	—	—
	LSP8	●	13.05	10	12	—	—	—	—
	LSP10	●	5	3.3	6.5	—	—	—	—
	LSP16	●	6.6	4.5	9	—	—	—	—
	LSP20	●	8.2	5.5	9	—	—	—	—
	LSP25	●	9.8	6.5	11	—	—	—	—
	LSP32	●	13	10	12	—	—	—	—
Pin for SEC-MINI Tool Holder	Cat. No.	Stock	Dimensions (mm)						(N·m)
			d	D	L	ℓ	—	—	
	LP04	●	0.4	1.1	4.7	3	—	—	—
	LP06	●	0.4	1.1	6	5	—	—	—
	LP07	●	0.4	1.1	7.7	3.5	—	—	—
SEC-SV Type or Boring Bars	Cat. No.	Stock	Dimensions (mm)						(N·m)
			d ₁	d ₂	L	D	ℓ ₁	ℓ ₂	
	VP20	●	M3.5	M4	12	6.5	≥4.5	≥4.5	—
	VP25	●	M3.5	M4	17	6.5	≥4.5	≥4.5	—
	VP32	●	M3.5	M4	24	6.5	≥4.5	≥4.5	—
SEC-SV Type or Boring Bars	Cat. No.	Stock	Dimensions (mm)						(N·m)
			d	Pitch	L	ℓ	D ₁	D ₂	
	VP32B	●	M3.5	0.6	8	1.4	5	6.5	—
	VP40B	●	M3.5	0.6	11.5	1.4	5	6.5	—
For SEC-M Type Holders	Cat. No.	Stock	Dimensions (mm)						(N·m)
			d	L	D	B	—	—	
	CPM32N	●	M4	7.5	7	3	—	—	—
	CPM43N	●	M5	8.5	7	3	—	—	—
	CPM43S	●	M5	6	7	3	—	—	—
For BNB Holder	Cat. No.	Stock	Dimensions (mm)						(N·m)
			L	—	—	—	—	—	
	BNBW-4	●	4	—	—	—	—	—	—
	BNBW-7	●	7	—	—	—	—	—	—

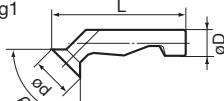
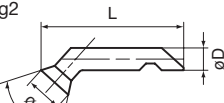
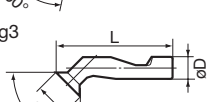
Nuts

Nuts / Drawing Pins / Wrenches

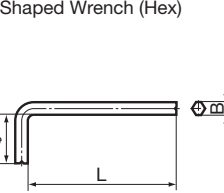
Nuts

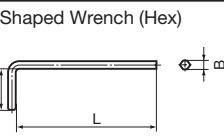
For BNB Holder	Cat. No.	Stock	Dimensions (mm)						N-m
			d	Pitch	L	D	B		
	CPV33N	●	M4	0.5	6	6	2.5	—	—

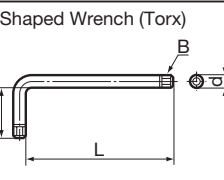
Drawing Pins

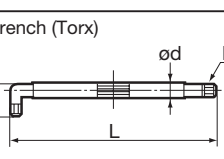
Fig1	Cat. No.	Stock	Dimensions (mm)						Shape	N-m
			d	D	L	θ°				
	SR083	●	5	2.9	20	60	—	—	—	
	SR104	●	5.5	3.4	21	60	—	—	—	
	SR124	●	6	3.9	24	60	—	Fig1	—	
	SR164	●	8.2	5	32	60	—	—	—	
	SR204	●	9.2	6	41	60	—	—	—	
	SR164Q	●	8.2	5	32	60	—	Fig2	—	
	SW43B	●	7.7	4.9	27.5	90	—	—	—	
	SR134B	●	6	3.9	22.5	60	—	Fig3	—	

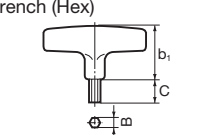
Wrenches

L-Shaped Wrench (Hex)	Cat. No.	Stock	Dimensions (mm)						N-m
			B	L	ℓ				
	LH015	●	1.5	45	14	—	—	—	—
	LH020	●	2	50	16	—	—	—	—
	LH025	●	2.5	56	18	—	—	—	—
	LH030	●	3	63	20	—	—	—	—
	LH035	●	3.5	22	68	—	—	—	—
	LH040	●	4	70	25	—	—	—	—
	LH050	●	5	80	28	—	—	—	—
	LH060	●	6	90	32	—	—	—	—
	LH100	●	10	112	40	—	—	—	—

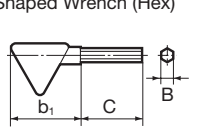
L-Shaped Wrench (Hex)	Cat. No.	Stock	Dimensions (mm)						N-m
			B	L	ℓ				
	LH020NT	●	2	50	16	—	—	—	—
	LH025NT	●	2.5	56	18	—	—	—	—
	LH030NT	●	3	63	20	—	—	—	—

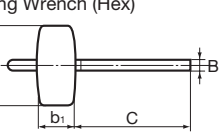
L-Shaped Wrench (Torx)	Cat. No.	Stock	Dimensions (mm)						N-m
			B	d	L	ℓ			
	LT08-06	●	T8	2.3	42.5	6	—	—	—
	LT15-10	●	T15	2.8	62	10	—	—	—
	LT15	●	T15	3.26	54	17.9	—	—	—
	LT20	●	T20	3.9	57.2	19.1	—	—	—
	LT25	●	T25	4.4	60.3	20.2	—	—	—
	LT27	●	T27	4.96	63.5	21.5	—	—	—

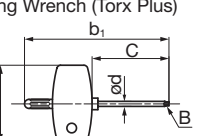
Wrench (Torx)	Cat. No.	Stock	Dimensions (mm)						N-m
			B	d	L	ℓ			
	LT25NT	●	3.6	4	65	10	—	—	—

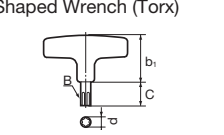
Wrench (Hex)	Cat. No.	Stock	Dimensions (mm)						N-m
			B	b ₁	C				
	TH030	●	3	48	28	—	—	—	—
	TH040	●	4	48	37	—	—	—	—
	TH050	●	5	48	45	—	—	—	—

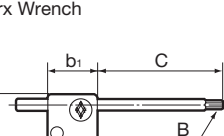
Wrenches

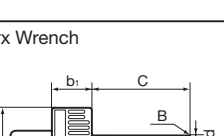
T-Shaped Wrench (Hex)	Cat. No.	Stock	Dimensions (mm)						N-m
			B	b ₁	C				
	TH015	●	1.5	35	30	—	—	—	—
	TH020	●	2	35	39	—	—	—	—
	TH025	●	2.5	35	39	—	—	—	—

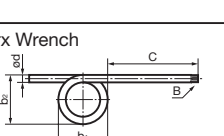
Wing Wrench (Hex)	Cat. No.	Stock	Dimensions (mm)						N-m
			B	C	b ₁	b ₂			
	TSW040	●	4	60	20	40	—	—	—

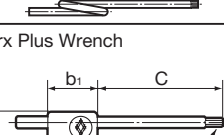
Wing Wrench (Torx Plus)	Cat. No.	Stock	Dimensions (mm)						N-m
			B	d	C	b ₁	b ₂		
	TRXW10IP	●	10P	2.6	40	75	40	—	—

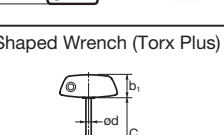
T-Shaped Wrench (Torx)	Cat. No.	Stock	Dimensions (mm)						N-m
			B	d	C	b ₁			
	TTX15W	●	T15	4	97	28	—	—	—
	TTX20	●	T20	3.9	58	47	—	—	—
	TT25	●	T25	4.4	27	48	—	—	—
	TT27	●	T27	5	41	48	—	—	—

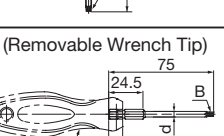
Torx Wrench	Cat. No.	Stock	Dimensions (mm)						N-m
			B	C	b ₁	b ₂			
	TRX06	●	T6	35.5	15	15	—	—	—
	TRX08	●	T8	38.5	19	19	—	—	—
	TRX10	●	T10	42.1	22	22	—	—	—
	TRX15	●	T15	46	22	27	—	—	—
	TRX20	●	T20	49	22	30	—	—	—

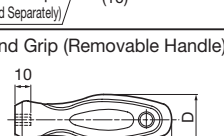
Torx Wrench	Cat. No.	Stock	Dimensions (mm)						N-m
			d	C	b ₁	b ₂	B		
	RT06	●	2	35	15	15	1.8	—	—
	RT08	●	3	38	20	20	2.2	—	—

Torx Wrench	Cat. No.	Stock	Dimensions (mm)						N-m
			d	C	b ₁	b ₂	B		
	RT10	●	3	37	20	20	2.9	—	—

Torx Plus Wrench	Cat. No.	Stock	Dimensions (mm)						N-m
			B	C	b ₁	b ₂			
	TRX06 IP	●	6IP	34	15	15	—	—	—

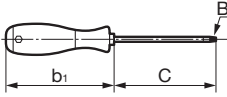

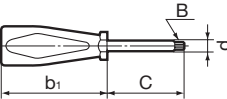

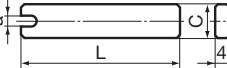
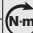
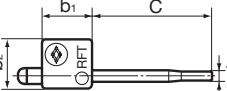
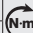


T-Shaped Wrench (Torx Plus)	Cat. No.	Stock	Dimensions (mm)						N-m
			B	d	C	b ₁			
	TTR15 IP	●	15IP	4	80	25.5	—	—	—

Bit (Removable Wrench Tip)	Cat. No.	Stock	Dimensions (mm)						N-m
			B	d					
	TRB10IP	●	10IP	4	—	—	—	—	—
	TRB15IP	●	15IP	4	—	—	—	—	—
	TRB20IP	●	20IP	4.5	—	—	—	—	—
	TRB25IP	●	25IP	5	—	—	—	—	—

Hand Grip (Removable Handle)	Cat. No.	Stock	Dimensions (mm)			Remarks	N-m
			D	L			
	HPS1015	●	32	99.4	—	For 10IP and 15IP	—
	HPL2025	●	35.5	110.3	—	For 20IP and 25IP	—

Wrenches

Wrenches

Torx Plus Wrench (Screwdriver Type) 	Cat. No.	Stock	Dimensions (mm)					
			B	C	b ₁	—	—	
	TRDR08 IP	●	8IP	60	104	—	—	
	TRDR10 IP	●	10IP	80	111	—	—	
	TRDR15 IP	●	15IP	80	111	—	—	
	TRDR20 IP	●	20IP	100	118	—	—	
TRDR25 IP	●	25IP	100	118	—	—		
Torx Wrench (Screwdriver Type) 	Cat. No.	Stock	Dimensions (mm)					
			B	d	C	b ₁	—	
	TRD07	●	T7	2	45	70	—	
	TRD08	●	T8	2.3	55	70	—	
	TRD15	●	T15	3.3	70	100	—	
	TRD20	●	T20	3.9	100	90	—	
TRD25	●	T25	5.3	80	110	—		
Key Wrench 	Cat. No.	Stock	Dimensions (mm)					
			L	a	C	—	—	
	KY25	●	45	2.5	10	—	—	
KY40	●	60	4	13	—	—	—	
Socket Wrench (Wrench for Axial Adjustment Operation) 	Cat. No.	Stock	Dimensions (mm)					
	RFT	●	d	C	b ₁	b ₂	—	
RFT	●	1.7	35	15	15	—	—	
Socket Wrench 	Cat. No.	Stock	Dimensions (mm)					
	ANT	●	d ₁	d ₂	L	H	—	
ANT	●	5	2	100	4.5	—	—	

